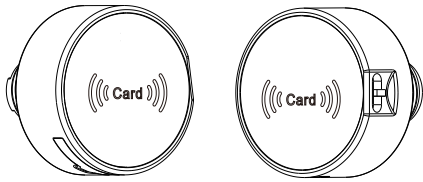




INSTRUCTION MANUAL

Smart IC card lock

103-6-I Series



CE/FCC/PSE/ROHS/SGS

Contents

1. First use

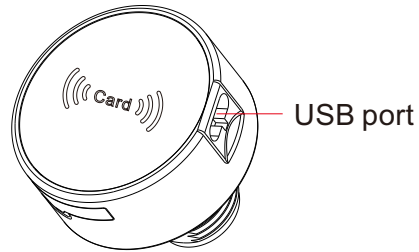
1.1 First use

2. Operating Instructions

- 2.1 Enter Management card
- 2.2 Enter user card
- 2.3 Delete user card
- 2.4 Swipe card unlock
- 2.5 Restore factory setting

3. Other Instructions

- 3.1 Acousto-optic prompt
- 3.2 Technical parameter



1. First use

1.1 First use

New locks leave the factory with a blank status by default and the first card entered is the management card by default.

2. Operating Instructions

Swipe card operation (supports 1 management card, 20 user cards)

2.1 Enter Management card

When the factory is restored (blank is not entered), the first card swiped is the management card by default and you hear a long beeping tone indicates that the management card has been successfully entered.

2.2 Enter user card

Swipe the management card 2 times in succession, hear the beep and the light flashes, swipe the other user card you need to record within 8 seconds, you can swipe multiple cards in succession, up to a total of 20 user cards.

2.3 Delete user card

Swipe the management card 3 times in succession, hear the beep and the indicator light flashes and wait for 8 seconds (do not operate) to end before all user cards are cleared.

2.4 Swipe card unlock

After swiping the card, a long sound is heard and the lock is unlocked by rotating clockwise within 3 seconds.

2.5 Restore factory setting

Swipe the management card 4 times in succession, hear the beep and the light flashes and wait 8 seconds (do not operation) is over, all with the management card and user card cleared.

3. Other instructions

3.1 Acousto-optic prompt

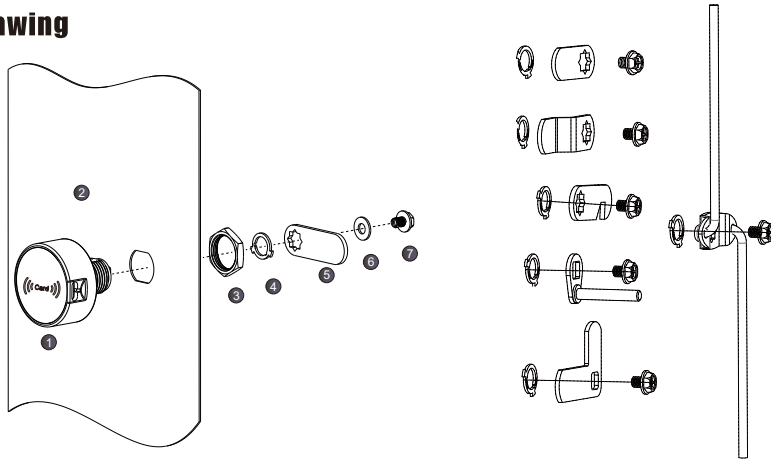
Serial number	Name	Sound/light synchronous indication	Meaning
1	Unlock	Long Sound. The green light is long bright	Unlock successfully
2	Operation successful	Long Sound. The green light is long bright	Correct operation, unlock/register successfully
3	Error	Double ring. Red light shining	Operation error, invalid input
4	Insufficient power	Ticketing three sounds	Power shortage, please charge

Note: When the power is insufficient, the lock can be unlocked for about 50 times when the power is exhausted. Please charge as soon as possible.

3.2 Technical parameter

Operating voltage	DC4 - 4.2V
Battery Specifications	Li-ion
Standby current	≤10uA
Maximum current	≤20mA
Battery life	Charging once can be used for 12 months
Operation temperature	-20°C ~ 70°C
Relative humidity	20% ~ 80%
Composition material	zinc alloy/ABS
Installation aperture	Suitable for diameter 19mm-20mm
Plate thickness requirements	>0.5mm
Certification detection	CE/FCC/PSE/ROHS/Salt Spray Test

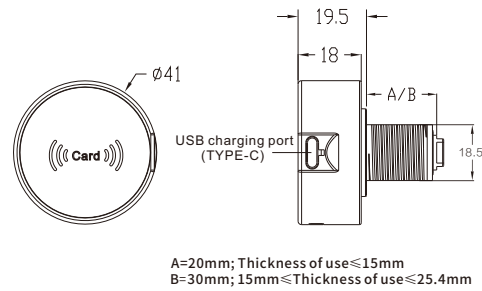
Assembling Drawing



List of parts:

- ① Lock
- ② Door panel Wood: 10-22mm / Iron: 0.5-12mm
- ③ nut x1(M16)
- ④ fixed plate
- ⑤ straight plate
- ⑥ Spacer for accessories x1(Ø12mm)
- ⑦ bolt x1(PWM4.0*8mm)

Product size



Installation Steps:

1. Drill the installation holes on the door as following dimensionl.
2. Fix the lock and rare part as the installation drawing.

Note:

1. The connection fittings should be installed at an angle, left or right 90°/180° unlocking.
2. Door panels using a thickness of 0.5-25.4mm.

